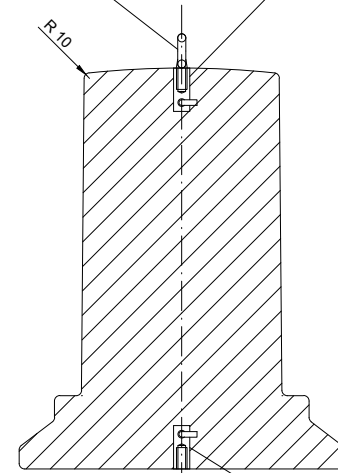


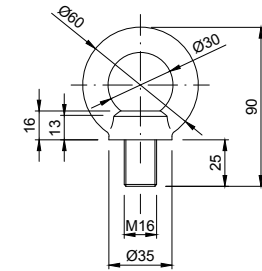
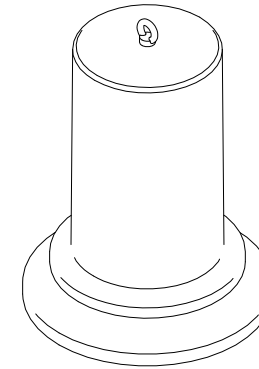
Ring Threaded M16
MANIPULATION

Threaded sleeve M16
MANIPULATION



SECTION A-A'

Threaded sleeve M16
ANCHORAGE



PESO: 205 Kg.
WEIGHT: 205 Kg.